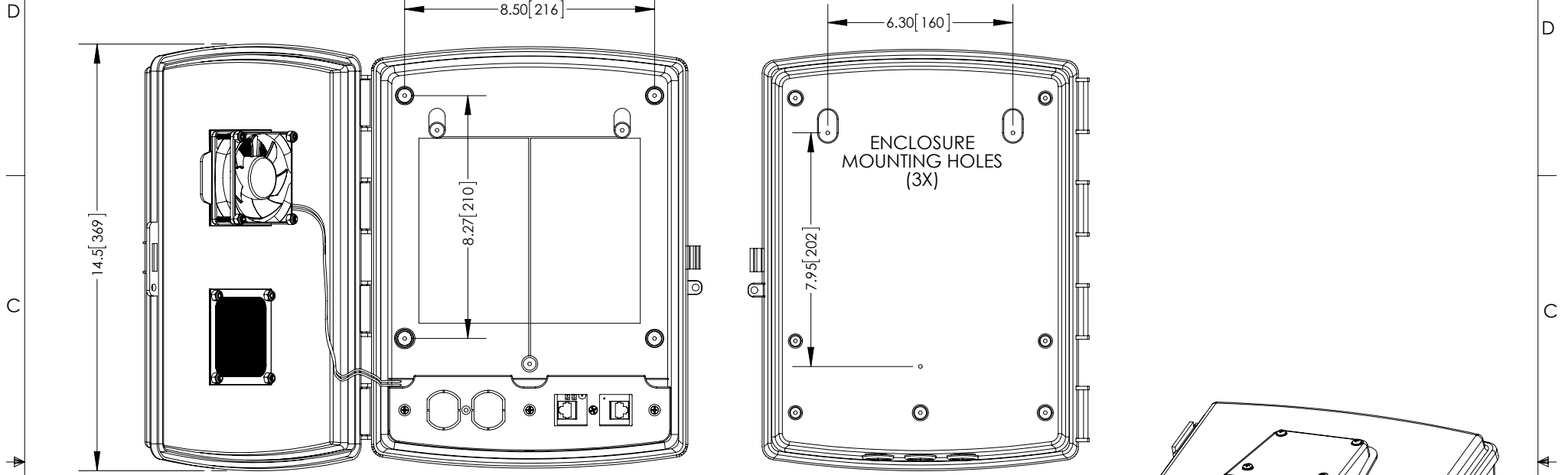
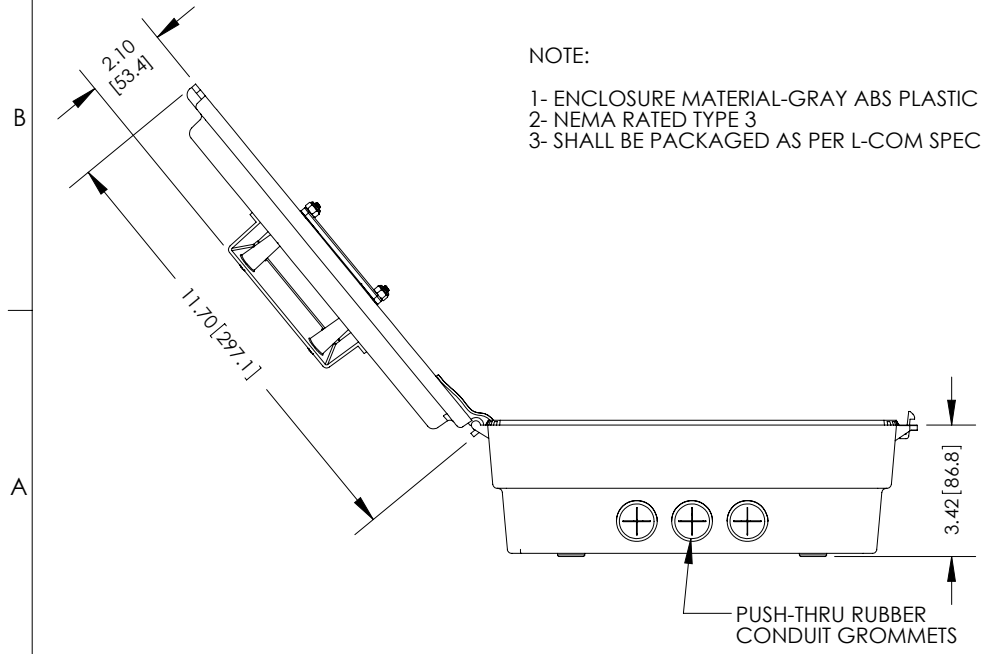


THE INFORMATION CONTAINED IN THIS DRAWING IS THE SOLE PROPERTY OF L-COM, INC. ANY REPRODUCTION IN PART OR WHOLE WITHOUT THE WRITTEN PERMISSION OF L-COM, INC. IS PROHIBITED.

REVISIONS			
REV	DESCRIPTION	DATE	APPROVED
A	INITIAL RELEASE	07/16/12	D.GRIFFIN
-	-	-	-
-	-	-	-



NOTE:  
 1- ENCLOSURE MATERIAL-GRAY ABS PLASTIC  
 2- NEMA RATED TYPE 3  
 3- SHALL BE PACKAGED AS PER L-COM SPEC PKG-00070



**RoHS Compliant** ✓

UNLESS OTHERWISE SPECIFIED, DIMENSIONS ARE IN INCHES [mm]  DIMENSIONAL TOLERANCES: .X = ±.1 .XX = ±.01 .XXX = ±.005  ANGULAR TOLERANCES: ALL = ± 1°  PROJECTION	APPROVALS DRAWN BY B.PUCHASKI	DATE 07/16/12		45 BEECHWOOD DRIVE NORTH ANDOVER, MA 01845	
	CHECKED BY P.PESA	07/16/12		CATEGORY ENCLOSURE	
	APPROVED BY P.PESA	07/16/12	PRODUCT DESCRIPTION NEMA ENCLOSURE 14x10x4 WEATHERPROOF OUTDOOR PoE W/FAN		
	COLOR VARIATIONS MAY OCCUR	SIZE <b>A</b>	FSCM NO. <b>43321</b>	DWG. NO. NBP141004-40FW	REV. <b>A</b>
SCALE: NONE		CAD FILE: NBP141004-40FW.SLDDRW		SHEET 1 OF 1	