



4.3-10 F/M Bulkhead Coaxial RF Surge Protector,
698MHz - 2.7GHz, 500W, IP67, 80 V Max.,
1mJ, 20kA, Filter, Low PIM -173 dBc

RF Surge Protectors Technical Data Sheet

LCSP1062

Features

- Surge current of 20kA
- Max Power 500W
- Frequency range from 698 MHz to 2700 MHz
- Waterproof IP67 rated
- 4.3-10 Female to 4.3-10 Male connectors
- DC Pass
- VSWR <1.12:1
- Low insertion loss
- CE & RoHS compliant
- Bidirectional

Applications

- Cellular communication systems
- Emergency response systems
- Public safety systems
- Industrial Communications

Description

RF surge protector (also known as lightning arrester) LCSP1062 from L-com utilizing a patented spiral inductor design enables an almost instantaneous response to a lightning surge to protect critical hardware while maintaining the RF performance. This RF surge protector component is manufactured in a coaxial in-line design with wide operating frequency range. All L-com RF surge protector products are available in stock with same day shipping.

Electrical Specifications

Surge Protector Type
DC Handling

Surge Filter and Gas Tube
DC Pass

Description	Minimum	Typical	Maximum	Units
Frequency Range	0.698		2.7	GHz
Impedance		50		Ohms
VSWR			1.12:1	
Insertion Loss		0.1	0.2	dB
Passive Intermodulation		-155	-173	dBc
Operating Voltage (DC)			80	Volts
Operating Current (DC)			6	A
Resistance (DC)			20	mOhms
Input Power, CW			500	Watts
Surge Current IEC 61000-4-5 8/20µs waveform			20	kA
Throughput Energy for 2kA @ 8/20µs waveform			1	mJ

Click the following link (or enter part number in "SEARCH" on website) to obtain additional part information including price, inventory and certifications: [4.3-10 F/M Bulkhead Coaxial RF Surge Protector, 698MHz - 2.7GHz, 500W, IP67, 80 V Max., 1mJ, 20kA, Filter, Low PIM -173 dBc LCSP1062](#)



an INFINIT® brand



4.3-10 F/M Bulkhead Coaxial RF Surge Protector,
698MHz - 2.7GHz, 500W, IP67, 80 V Max.,
1mJ, 20kA, Filter, Low PIM -173 dBc

RF Surge Protectors Technical Data Sheet

LCSP1062

Mechanical Specifications

Size

Length	2.98 in [75.69 mm]
Width/Diameter	1.72 in [43.69 mm]
Height	1.81 in [45.97 mm]
Weight	1 lbs [453.59 g]
Housing Material and Plating	Brass, Tri-Metal

Configuration

Input Connector	4.3-10 Female
Output Connector	4.3-10 Male

Environmental Specifications

Temperature

Operating Range	-50 to 85 deg C
Storage Range	-50 to 85 deg C

Ingress Protection (IP) Rating	IP67
Humidity	95%

Compliance Certifications (see [product page](#) for current document)

Plotted and Other Data

Notes:

Our portfolio includes cable assemblies, connectors, adapters and custom products, as well as their wireless product line which includes antennas, RF amplifiers, coaxial lightning and surge protectors, and NEMA rated enclosures.

Click the following link (or enter part number in "SEARCH" on website) to obtain additional part information including price, inventory and certifications: [4.3-10 F/M Bulkhead Coaxial RF Surge Protector, 698MHz - 2.7GHz, 500W, IP67, 80 V Max., 1mJ, 20kA, Filter, Low PIM -173 dBc LCSP1062](#)

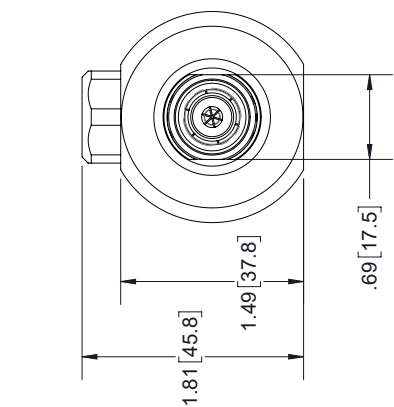
URL: <https://www.l-com.com/4.3-10-surge-protector-2.7ghz-surge-filter-gas-tube-lcsp1062-p.aspx>

The information contained in this document is accurate to the best of our knowledge and representative of the part described herein. It may be necessary to make modifications to the part and/or the documentation of the part, in order to implement improvements. L-com reserves the right to make such changes as required. Unless otherwise stated, all specifications are nominal. L-com does not make any representation or warranty regarding the suitability of the part described herein for any particular purpose, and L-com does not assume any liability arising out of the use of any part or documentation.

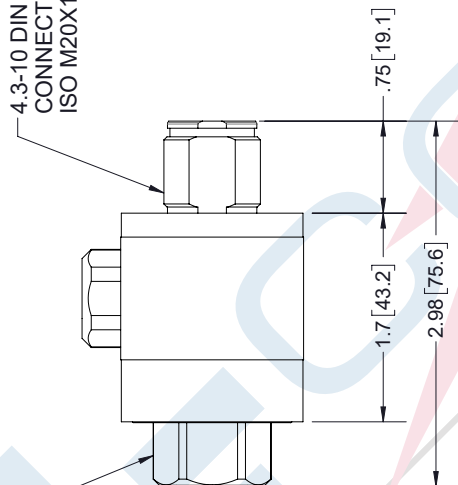
LCSP1062 CAD Drawing

4.3-10 F/M Bulkhead Coaxial RF Surge Protector, 698MHz - 2.7GHz,
500W, IP67, 80 V Max., 1mJ, 20kA, Filter, Low PIM -173 dBc

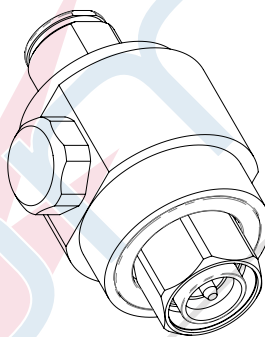
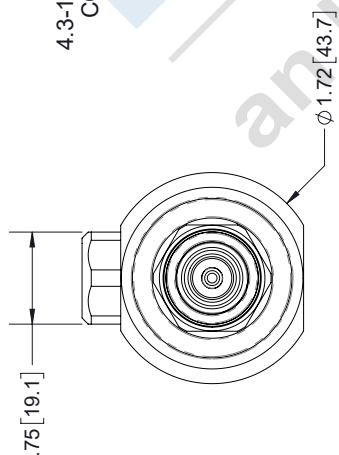
REVISIONS			
REV.	DESCRIPTION	DATE	APPROVED
A	INITIAL RELEASE	9/9/19	DWR



4.3-10 DIN FEMALE
CONNECTOR
ISO M20X1



4.3-10 DIN MALE
CONNECTOR



HARDWARE KIT CONTENTS:	
QTY	DESCRIPTION
1	NUT M20 X 1 SS
1	WASHER .82ID FLAT SS
1	SILICONE O-RING 019
1	RING TERM 6AWG .82ID

UNLESS OTHERWISE SPECIFIED
DIMENSIONS ARE IN INCHES
DIMENSIONS IN [] ARE MILLIMETERS

TOLERANCES:
 .X \pm .2 [5.08] FRACTIONS
 .XX \pm .01 [.25] \pm 1/32
 .XXX \pm .005 [.13] ANGLES \pm 1°
 ALL DIMENSIONS SHOWN
 ARE FOR REFERENCE ONLY.

THRU-ANGLE PROJECTION

L-com
an INFINITI® brand
50 High Street, West Mill, 3rd Floor, Suite #30
North Andover, MA 01845 USA
Phone: 1.800.341.5266 | 1.978.682.6936
Fax: 1.978.689.9484
www.L-com.com | e-mail: CustomerService@L-com.com

THE INFORMATION AND
DESIGN IN THIS DOCUMENT
IS THE PROPERTY OF
L-COM GLOBAL CONNECTIVITY.
ALL RIGHTS RESERVED.

SHEET 1 OF 1
SCALE 2:3

SIZE	CAGE	DRAWN BY	PART NUMBER	REV
A	43321	DPM	LCSP1062	A

THESE COMMODITIES, TECHNOLOGY OR SOFTWARE WERE EXPORTED FROM THE UNITED STATES IN ACCORDANCE WITH THE EXPORT
ADMINISTRATION REGULATIONS. DIVERSION CONTRARY TO U.S. LAW PROHIBITED.